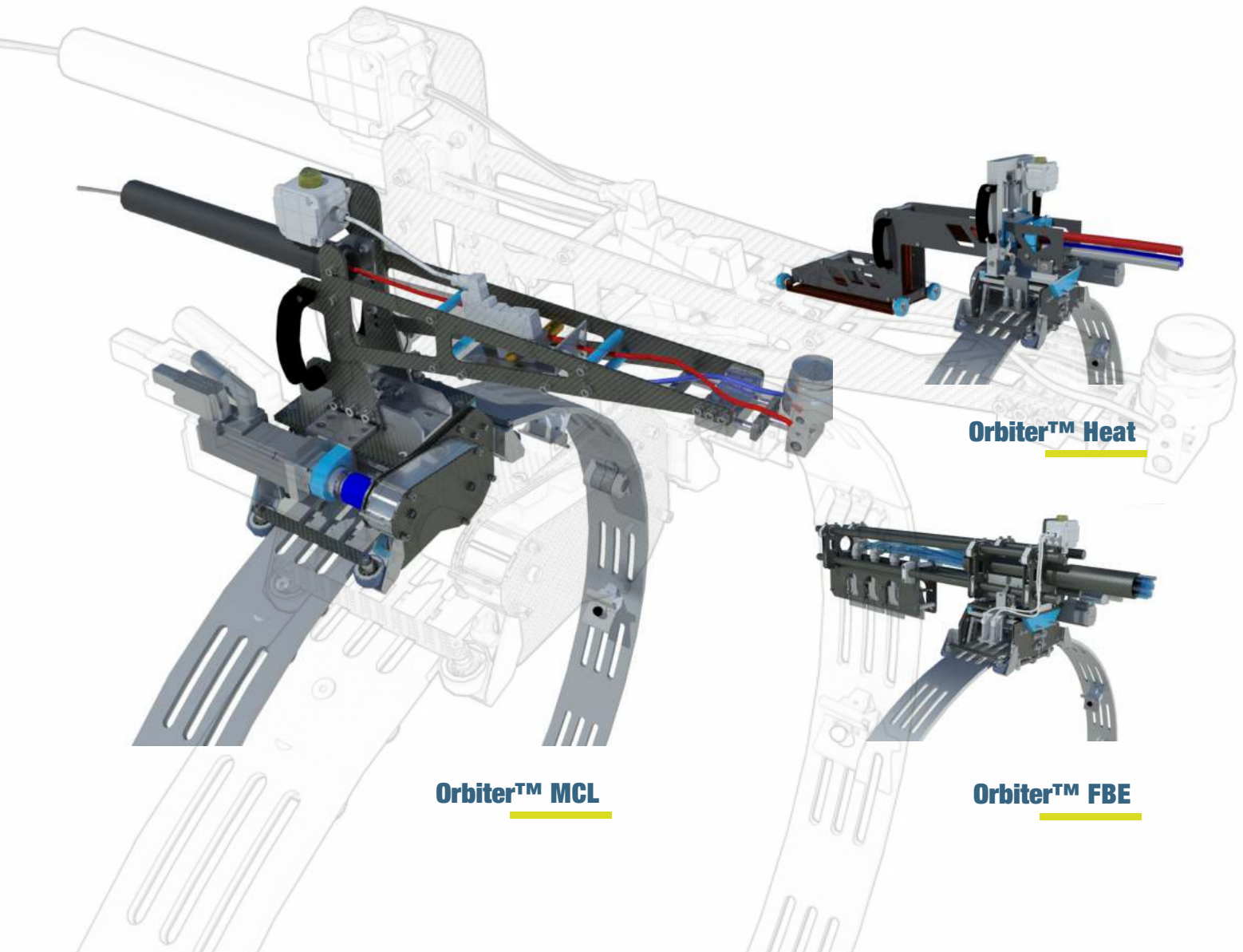


# Orbiter™ FBE

(FJC:FIELD JOINT COATING)

ORBITER™ FBE IS AN INTELLIGENT, FULLY-AUTOMATED AND MODULAR COATING SYSTEM FOR MCL AND FBE



ORBITER™ FBE AUTOMATED COATING ROBOTS OVERCOME THE LIMITATIONS OF CONVENTIONAL COATING EQUIPMENT.

- In comparison, the Orbiter™ FBE robot system significantly reduces manning levels and need for lifting equipment.
- Material consumption and waste are reduced due to simplified spray nozzle and mixing equipment cleaning.



# Orbiter™ FBE

## Equipment description



- Precise and fast location of on-pipe equipment
- Shared band and drive system leads to faster cycle times and less equipment to mobilise
- Integrated controls with consistently even and repeatable application
- Band and drive is the only diameter specific part of the system

## Orbiter™ Capabilities



- Easily scaled for production rates from below 20 jpd to more than 180 jpd
- Ideal for difficult terrain as band clamps firmly to the pipe
- Robot and bands easily handled by one man

## Applications



- MCL and FBE application (single and dual layer)
- Offshore
- Landline
- Spoolbase and fabrication

## Orbiter™ Technical Characteristics



- Orbiter™ has been used on pipe from 4” to 60” diameter
- Capable on slopes up to 25 degrees
- Orbiter™ MCL has been used in wind speeds up to 35 kph
- “On pipe” equipment less than 25kg so man portable



SERIMAX HOLDINGS  
Welding Technology Centre (WTC)  
346 Rue de la Belle Étoile  
959263 Roissy-en-France  
  
Serimax.com /+33 1 56 48 90 50  
Contact Details: [contact@serimax.com](mailto:contact@serimax.com)