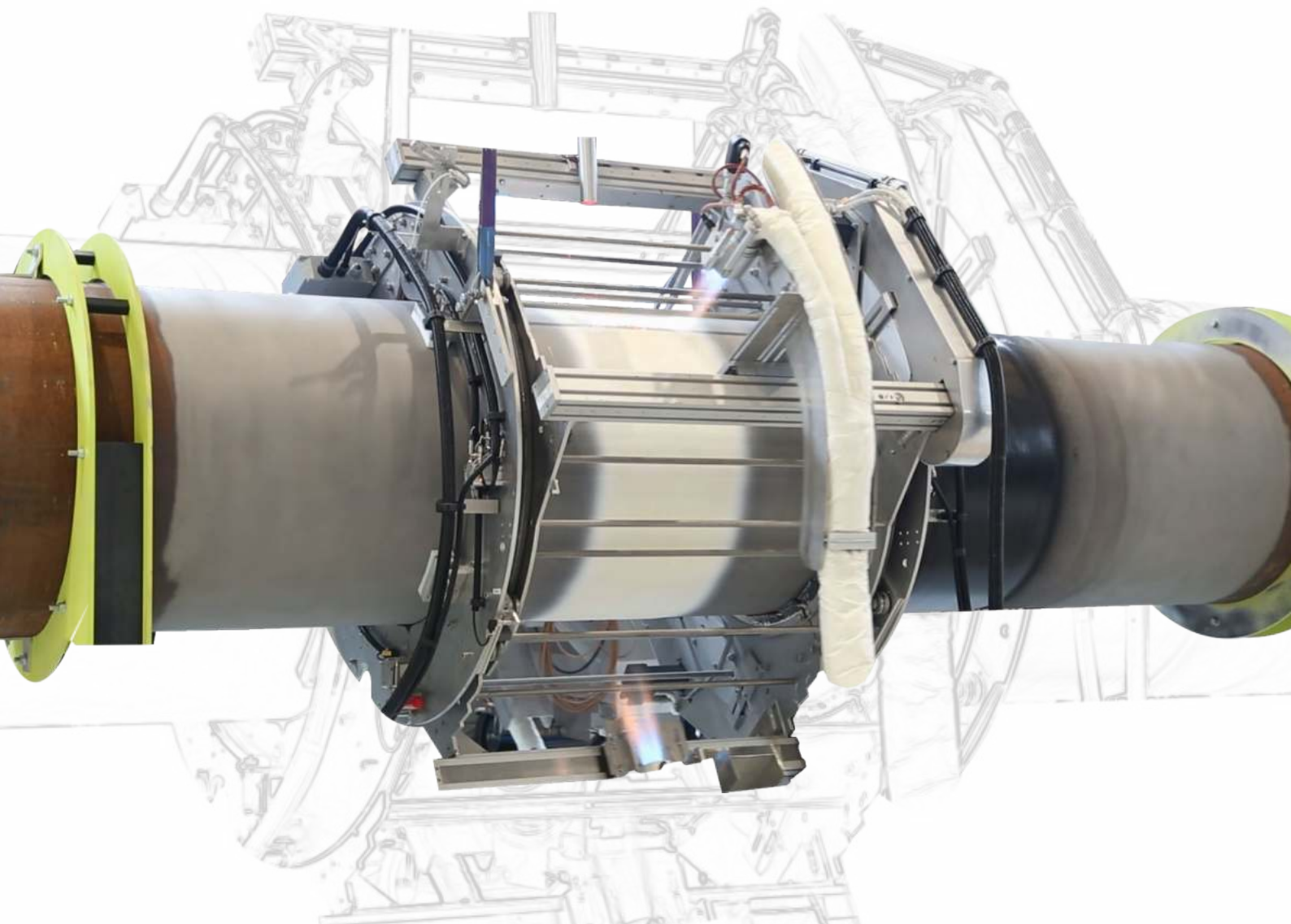


FJC SeriFlame™

(FJC:FIELD JOINT COATING)

FJC SERIFLAME™ RESPONSIVE AND REPEATABLE - A FULLY AUTOMATED FLAME SPRAY COATING SYSTEM



SERIMAX FJC HAS DEVELOPED A FULLY AUTOMATED SYSTEM INDEPENDENT OF OPERATOR SKILL:

- It incorporates multiple flame spray guns that are PLC controlled. This increases productivity, consistency and repeatability that provides an easy system to setup, operate and maintain.
- Reduced manning levels and improves safety of personnel.



FJC SeriFlame™

Equipment Description

- Fully automated integrated flame spray system with operation independent of operator skill
- Multiple flame spray guns to allow fast application
- PLC controls allow easy set up and traceability
- Repeatable and reliable coating parameters
- Minimum operator intervention for improved safety in operation

SeriFlame™ Capabilities

- Applicable for PE and PP flame spray coatings
- Coating thickness up to 9mm with ease
- Capable of use on pipe from 4" to 60"

Applications

- FJC on field joints for drilling and pressing operations
- Offshore
- Landline
- Spoolbase and fabrication

SeriFlame™ Technical Characteristics

- Controlled powder feed ensures the application rate is consistent
- Dynamic temperature monitoring ensures waxing is avoided
- Precise motion ensures uniform and predictable application thickness
- Application speed nominally 0.5m²/minute/3mm of thickness
- Fully safety interlocked



FJC SeriFlame™ HOLDINGS
Welding Technology Centre (WTC)
346 Rue de la Belle Étoile
959263 Roissy-en-France

Serimax.com /+33 1 56 48 90 50
Contact Details: contact@serimax.com