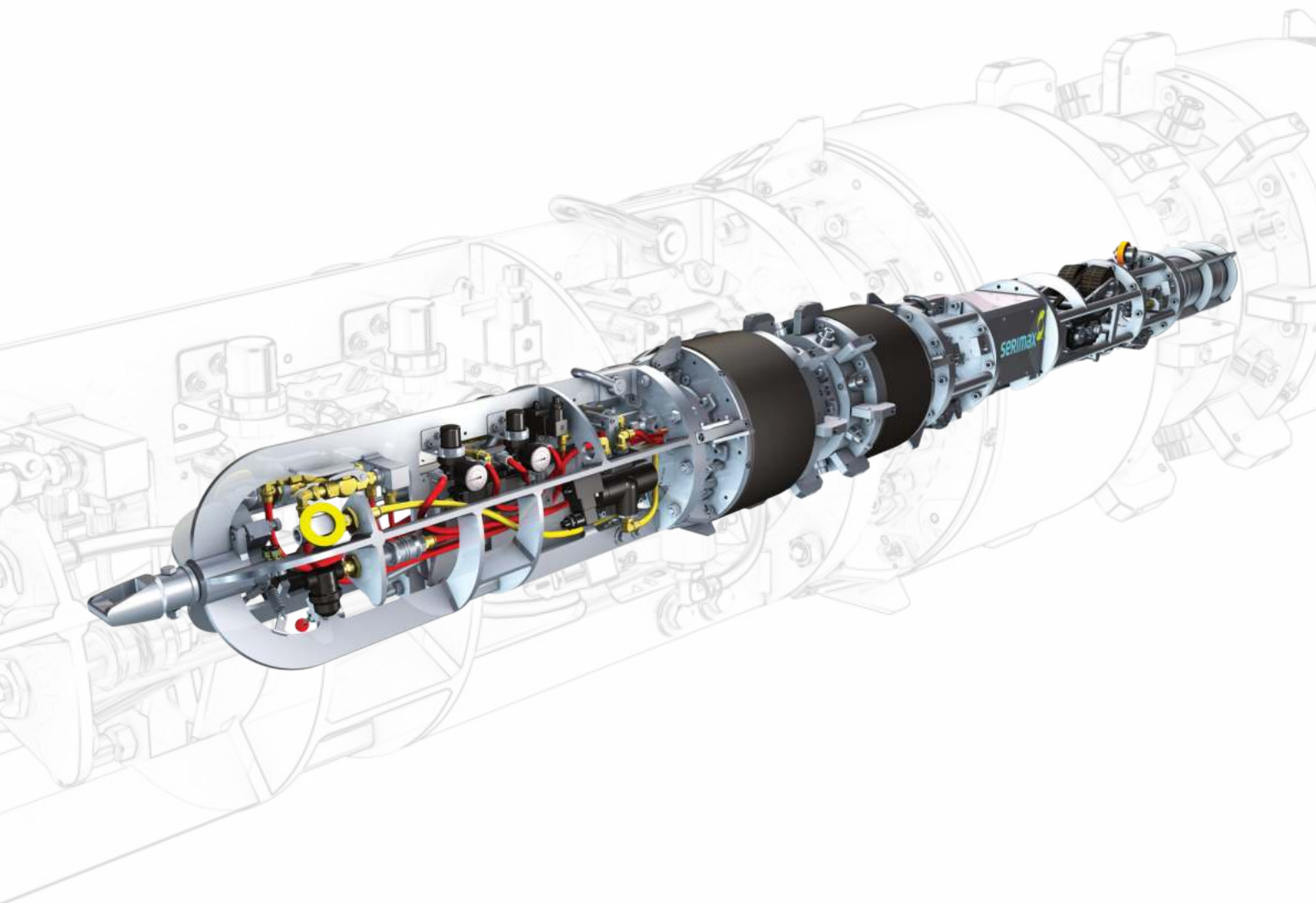


ILUC CRA

SERIMAX'S ILUC GAS PURGE MODULE IS A RELIABLE LINE-UP CLAMP PROVIDING THE BEST SOLUTION FOR THE WELDING OF CORROSION RESISTANT ALLOY (CRA) MATERIALS.



- Targeting all pipe diameters ranges
- Roxane, a unique technology to analyse and control oxygen level ensuring welds quality



ILUC CRA

Equipment Description Range



Operating temperature: -40°C to +60°C
Oxygen measurement performed directly at joint location
O² level measurement sensitivity of 35ppm
Quick flushing and purging for improved welding cycle time
Oxygen records during welding operations
2G and 5G

Operating Capabilities



Landline and offshore

Technical Characteristics



Embedded and internally designed, real time oxygen level measurement and regulation devices (Roxane).
Optional inspection module with Scanvision 07 or Scanvision HD
Engineered pipe specific inflatable bladders for quick cycle time and efficient purging.
Various type of gas diffusion rings diffusion and grooved copper backing rings.



SERIMAX HOLDINGS
Welding Technology Centre (WTC)
346 Rue de la Belle Étoile
959263 Roissy-en-France

Serimax.com /+33 1 56 48 90 50
Contact Details: contact@serimax.com

www.serimax.com

SERIMAX 