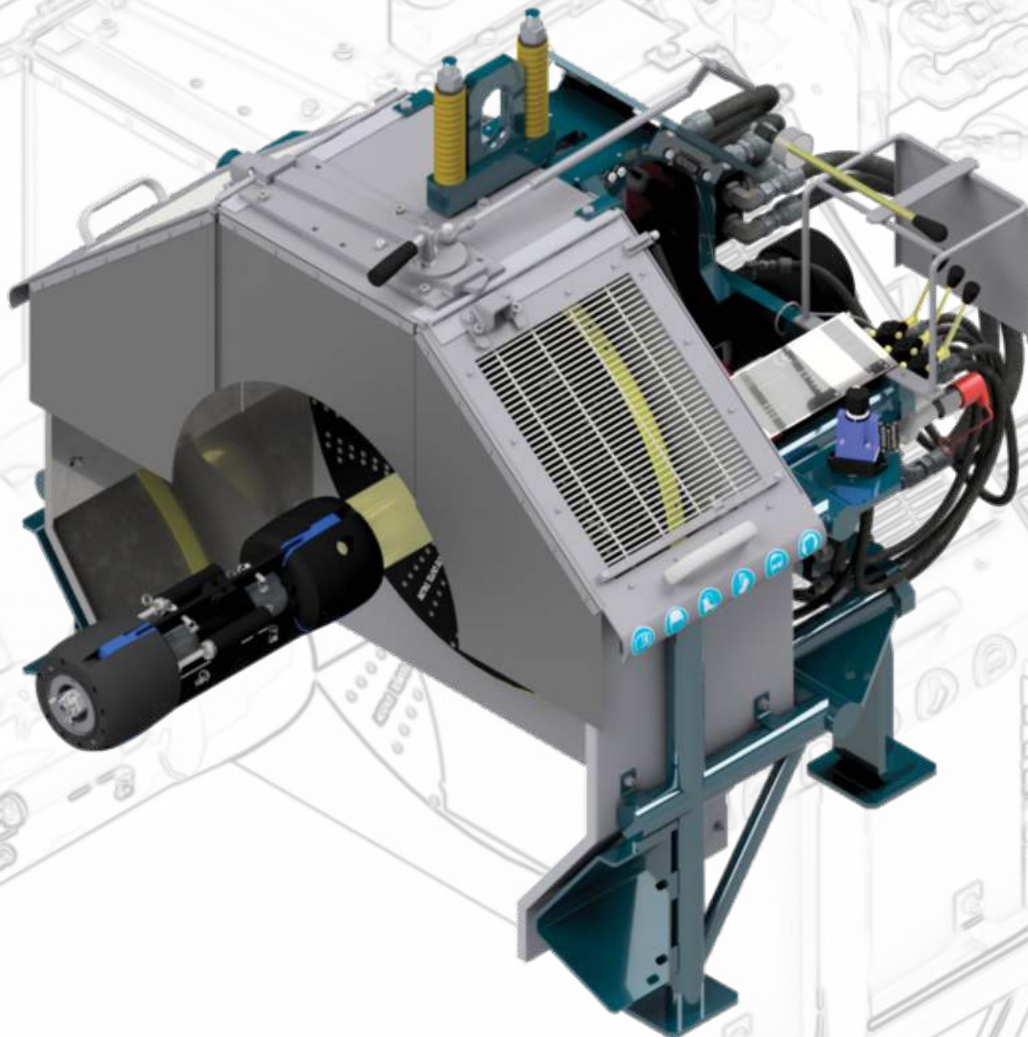


PFM

SERIMAX'S IN-HOUSE BEVELING TOOL SPECIFICALLY DESIGNED TO PRODUCE NARROW GAP BEVELS FOR HIGH PRODUCTIVITY AUTOMATIC WELDING.



OPTIMISE EQUIPMENT PHILOSOPHY

- Quality bevels
- Extended diameter ranges with a single fleet
- Heavy duty equipment suitable for offshore and landline jobs
- From 4" to above 72"



PFM

Equipment Description Range

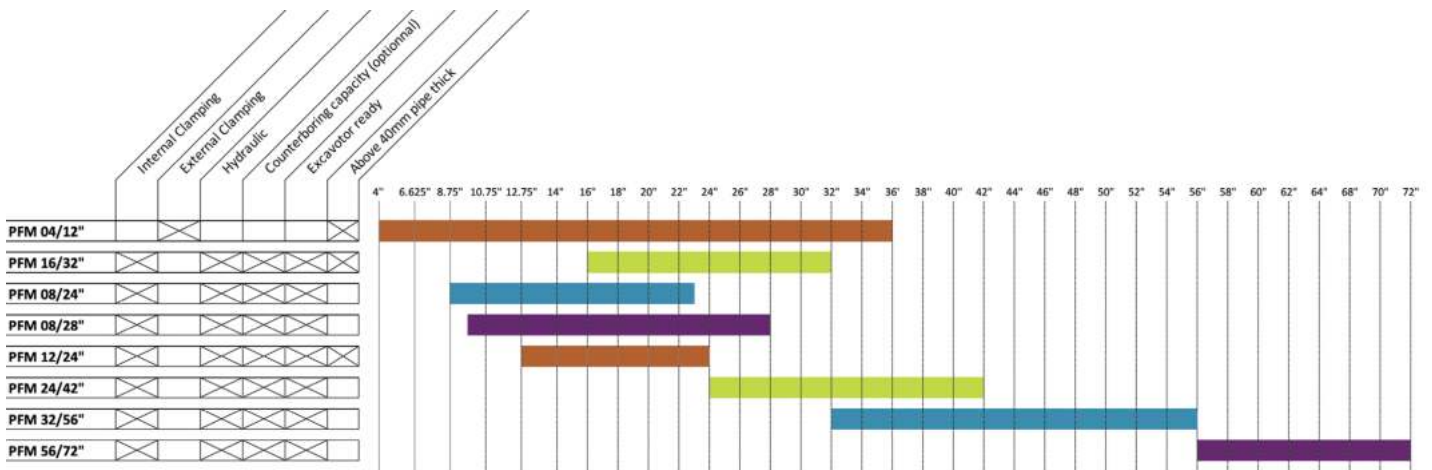
- PFM 4-12"
- PFM 8-24"
- PFM 24-42"
- PFM 32-56"
- PFM 56-72" and above

Welding Capabilities

- Pipe grades: all carbon steel pipe grades and corrosion Resistant alloy pipe grades
- Position: 5G, 6G, 2G
- Onshore and offshore

Available Features

- Counterboring kit
- Diesel engine powered or electrical
- Excavator plugging



SERIMAX HOLDINGS
 Welding Technology Centre (WTC)
 346 Rue de la Belle Étoile
 959263 Roissy-en-France
 Serimax.com / +33 1 56 48 90 50
 Contact Details: contact@serimax.com