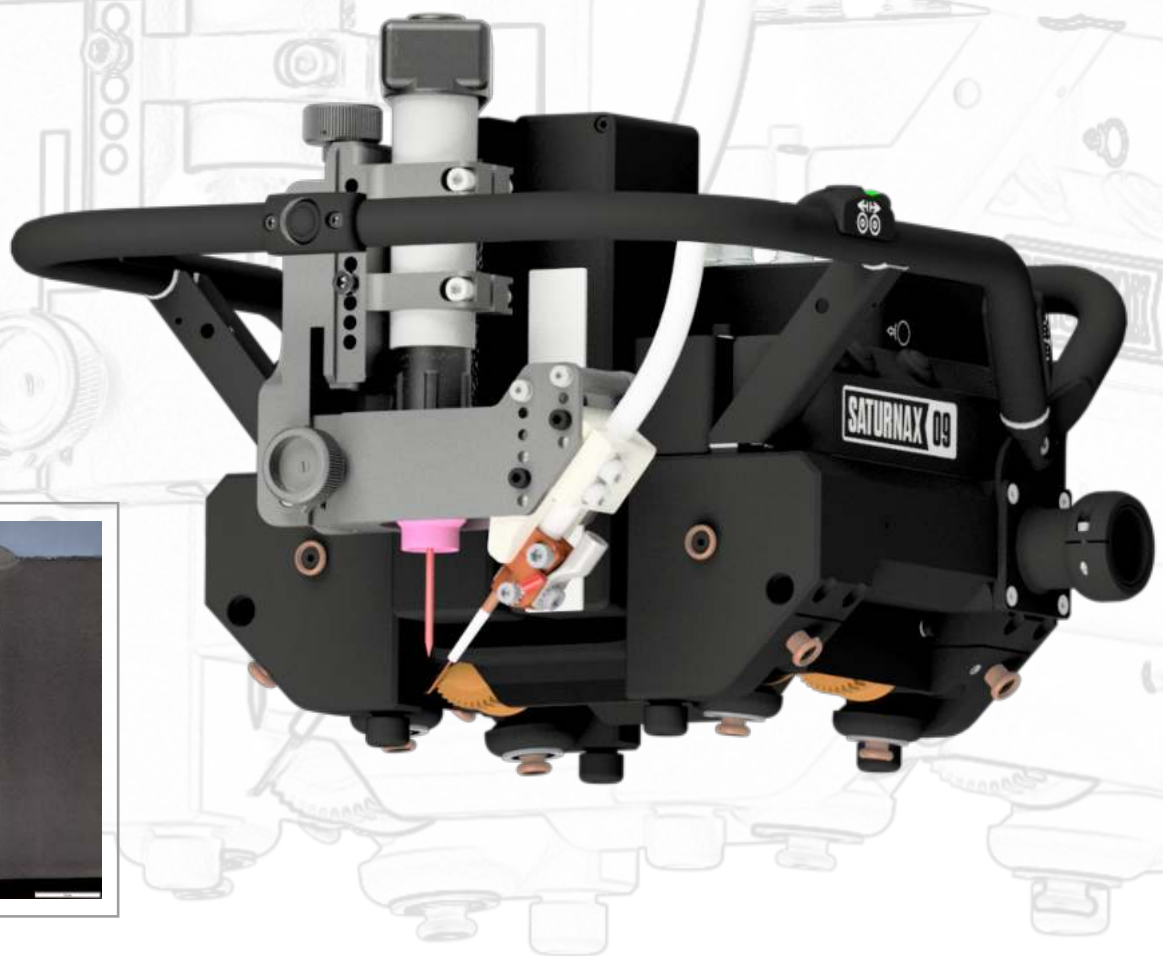


Saturnax 09

GTAW

THE UNIQUE GTAW PIPELINE WELDING BUG ENSURING NARROW GAP WELDING FROM ROOT TO CAP PASSES



SATURNAX 09 GTAW ACHIEVES EXCELLENT QUALITY AND HIGHER SPEED GTAW ROOT

- 100% mechanised
- Up to **3 times faster** than common cold wire GTAW welding
- Easy-to-use <30 sec to put in place on the band
- For both orbital and linear welding
- Reduce down-time and costs
- Quality driven



Saturnax 09 GTAW

Equipment Description Range

- From 4,5" and above
- Up to 70mm pipe wall thickness in standard configuration
- Bug and band
- Linear oscillation
- Heavy duty and field proven

Welding Capabilities

- Process: GTAW HW and CW
- Positions: All
- Number of welding heads: 1
- Travel speed: Up to 40cm/min
- Specifications & codes: All welding codes and standards

Applications

- Line description: CRA and all oil and gas pipeline, SCR, sour service, nuclear, and demanding industries
- Material/pipe grade: Carbon steel & stainless steel

Technical Characteristics

- Weight of welding carriage: 15Kg
- Temperature operating range: -40°C (-40°F) to 50°C(122°F)
- Welding directions capabilities: Uphill and downhill
Automatic stick out control
- Welding data monitoring and recording



SERIMAX HOLDINGS
Welding Technology Centre (WTC)
346 Rue de la Belle Étoile
959263 Roissy-en-France

Serimax.com /+33 1 56 48 90 50
Contact Details: contact@serimax.com