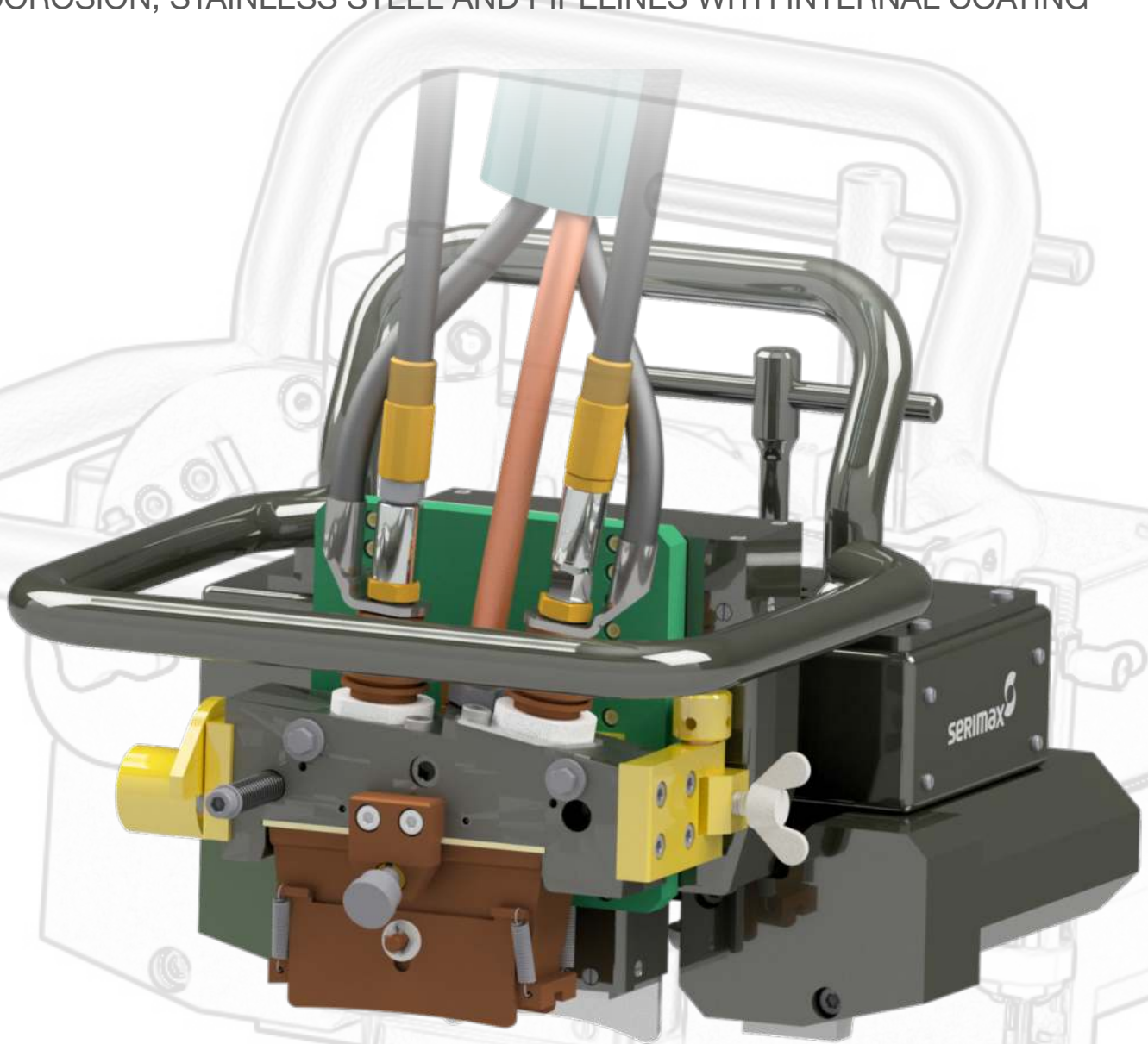


Saturnax 08

OUR FULLY MULTI-PROCESS DIGITAL BUG & BAND SUITABLE FOR CORROSION, STAINLESS STEEL AND PIPELINES WITH INTERNAL COATING



BASED ON THE SATURNAX RANGE OF FIELD-PROVEN TECHNOLOGY

- Simple torch welding bug
- Copper backing free applications
- Latest generation of welding processes ensuring an increased travel speed of 50%
- Lightest and most compact welding bug on the market
- Full data recording

Saturnax 08

Equipment Description Range

- From 4,5" mm and above
- Up to 50mm wall thickness in standard configuration
- Bug and band
- Linear oscillation
- Heavy duty and field proven

Welding Capabilities

- Process: STT / single PGMAW / dual GMAW
- Position: All
- Number of welding heads: Single & dual
- Travel speed: Up to 120cm/min
- Specifications & codes: All welding codes and standards

Applications

- Line Description: CRA and all oil and gas pipelines, water and slurry lines
Carbon steel & stainless steel
- Material/Pipe Grade:

Technical Carateristics

- Weight of welding carriage: 12Kg
 - Temperature operating range: -40°C (-40°F) to 50°C(122°F)
 - Welding directions capabilities: Uphill and downhill
- Automatic stick out control
Welding data monitoring and recording



SERIMAX HOLDINGS
Welding Technology Centre (WTC)
346 Rue de la Belle Étoile
959263 Roissy-en-France
Serimax.com /+33 1 56 48 90 50
Contact Details: contact@serimax.com