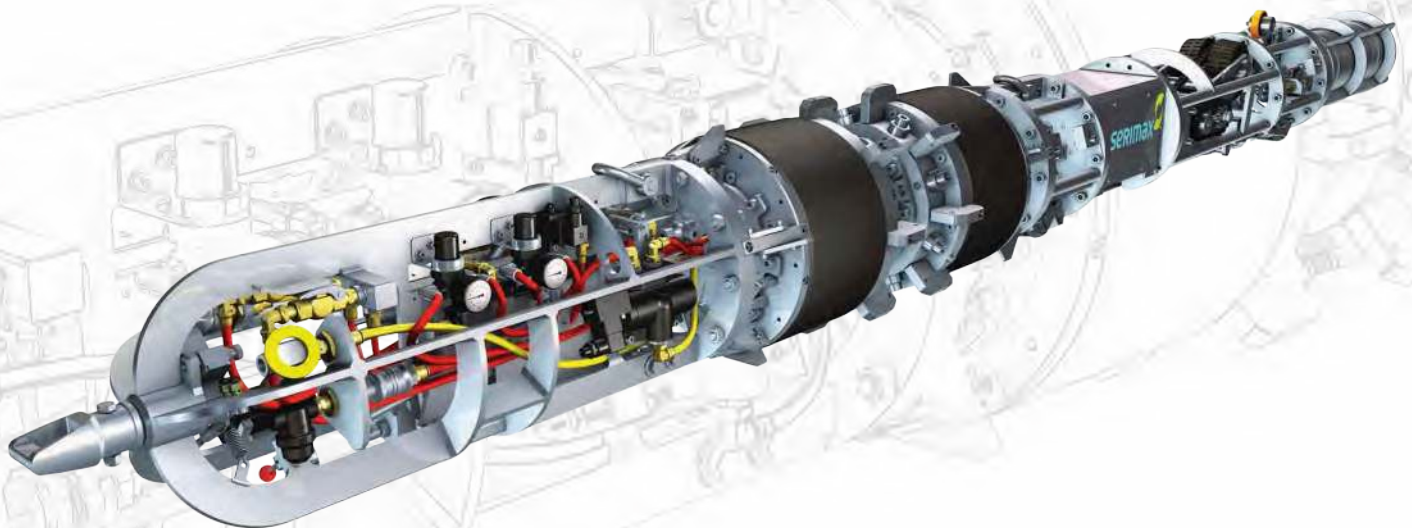


ILUC CRA

SERIMAX'S ILUC GAS PURGE MODULE IS A RELIABLE LINE-UP CLAMP PROVIDING THE BEST SOLUTION FOR THE WELDING OF CORROSION RESISTANT ALLOY (CRA) MATERIALS.



- Targeting all pipe diameters ranges
- Roxane, a unique technology to analyse and control oxygen level ensuring welds quality



ILUC CRA

Equipment Description Range



- Operating temperature: -40°C to +60°C
- Oxygen measurement performed directly at joint location
- O₂ level measurement sensitivity of 35ppm
- Quick flushing and purging for improved welding cycle time
- Oxygen records during welding operations
- 2G and 5G

Operating Capabilities



- Landline and offshore

Technical Characteristics



- Embedded and internally designed, real time oxygen level measurement and regulation devices (Roxane).
- Optional inspection module with Scanvision 07 or Scanvision HD
- Engineered pipe specific inflatable bladders for quick cycle time and efficient purging.
- Various type of gas diffusion rings diffusion and grooved copper backing rings.



SERIMAX HOLDINGS
Welding Technology Centre (WTC)
346 Rue de la Belle Étoile
95926 Roissy-en-France

Serimax.com /+33 1 56 48 90 50
Contact Details: contact@serimax.com